

AC Current Probe Model 810A



The Model JM810A is a high performance AC current probe for higher currents. Excellent transformation and low phase shift, plus a broad frequency response, permit accurate measurements of current and power. The high quality magnetic core and uniform windings provide for accurate measurements up to 2400Aac. The "squared" jaw permits multiple conductor or bus bar positioning. The Model JM810A provides excellent True RMS capabilities and reliable signal reproduction.

The Model JM810A works as a traditional current transformer providing current outputs (mA) over a broad range of transformation ratios. The Model JM810A is designed for use on DMMs, power and harmonic meters, recorders or instruments with AC current ranges.

Features

- Nominal range: 1 to 2000Aac (continuous cycle for the full temperature range)
- Transformation ratio: 2000:2
- Output: 1mA/A
- Designed for use on DMMs, power and harmonic meters, recorders or instruments with AC current ranges

Applications

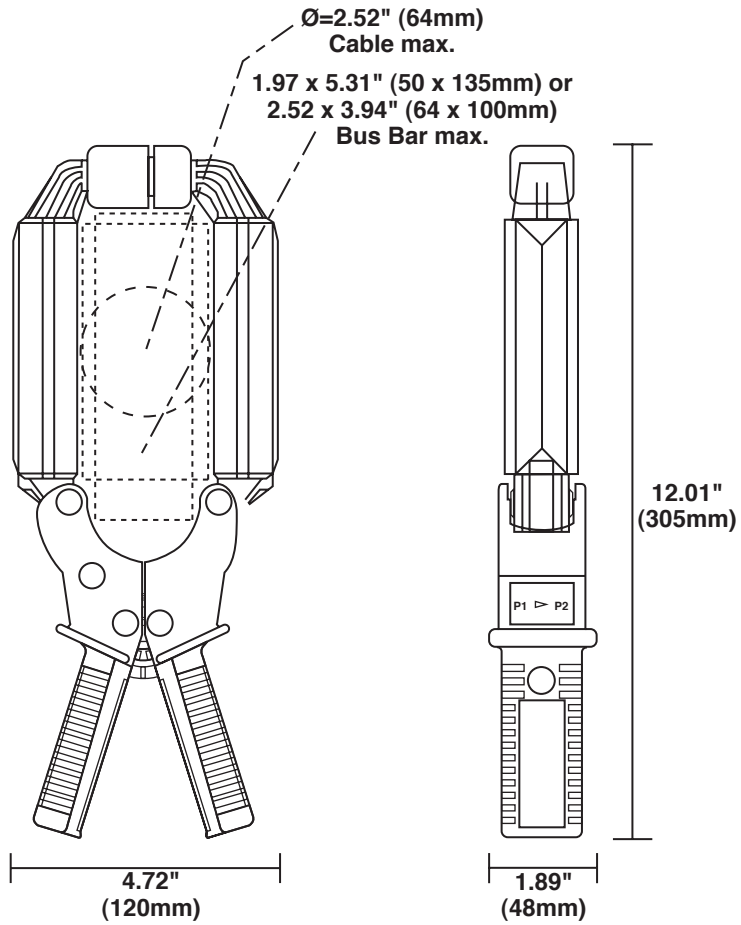
- Field testing
- Electrical utility
- HVAC
- Industrial maintenance
- Laboratory
- Plant maintenance

Specifications

MODEL	JM810A
ELECTRICAL	
Nominal Range	2000A
Measurement Range	1 to 2400A
Transformation Ratio	2000:2
Output Signal	1mA _{AAC} /A _{AAC} (2A @ 2000A)
Accuracy (1000A Range)	
100A	2% of Reading
400A	1% of Reading
2000A	0.5% of Reading
Phase Shift (1000A Range)	
100A	1.5°
400A	0.75°
2000A	0.5°
Overload	2400A for 10 min
Frequency Range	30Hz to 5kHz; current derating above 5000Hz for continuous use
Load Impedance	≤1Ω
Working/Common Mode Voltage	600V _{AC}
Output Termination	5 ft Lead
MECHANICAL	
Operating Temperature	14° to 122°F (-10° to 50°C)
Storage Temperature	-13° to 176°F (-25° to 80°C)
Jaw Opening	3.54" (90mm)
Maximum Conductor Size	Cable: 2.52" Ø max (64mm); Bus bar: 1.97 x 5.31" (50 x 135mm); 2.52 x 3.94" (64 x 100mm)
Dimensions	4.72 x 12.40 x 1.89" (120 x 315 x 48mm)
Weight	2.65 lbs (1200g)
Polycarbonate Material	Handles: 10% fiberglass charged polycarbonate UL94 V0; Jaws: ABS UL V2
SAFETY	
Electrical	EN 61010-2-32
Double Insulation <input type="checkbox"/>	Yes
CE Mark	Yes

Note: Reference conditions:

23°C ± 3°K, 20 to 85% RH, 48 to 65Hz, external magnetic field <40A/m, no DC component, no external current carrying conductor, test sample centered. Load impedance 0.5Ω.



Leads:
 Double/reinforced
 5 ft (1.5m) lead
 with safety 4mm
 banana plug

ORDERING INFORMATION

CATALOG NO.

AC Current Probe Model JM810A (Lead – 1mA/A – 2000A max)	Cat. #2110.80
Includes a user manual	
Accessories (Optional)	
Banana plug adaptor (to nonrecessed plug)	Cat. #1017.45
Banana/BNC Connector XF-SS (4mm banana plug)	Cat. #2111.32

Contact Us

United States & Canada:

Chauvin Arnoux[®], Inc.
d.b.a. AEMC[®] Instruments
200 Foxborough Blvd.
Foxborough, MA 02035 USA
(508) 698-2115 • Fax (508) 698-2118
www.aemc.com

Customer Support – for placing an order, obtaining price and delivery:
customerservice@aemc.com

Sales Department – for general sales information:
sales@aemc.com

Repair and Calibration Service – for information on repair and calibration, obtaining a user manual:
repair@aemc.com

Technical and Product Application Support – for technical and application support:
techinfo@aemc.com

Webmaster – for information regarding www.aemc.com:
webmaster@aemc.com

South America, Central America, Mexico, Caribbean, Australia and New Zealand:

Chauvin Arnoux[®], Inc.
d.b.a. AEMC[®] Instruments
15 Faraday Drive
Dover, NH 03820 USA
(978) 526-7667 • Fax (978) 526-7605
export@aemc.com
www.aemc.com

All other countries:

Chauvin Arnoux SCA
190, rue Championnet
75876 Paris Cedex 18, France
33 1 44 85 45 28 • Fax 33 1 46 27 73 89
info@chauvin-arnoux.com
www.chauvin-arnoux.com



Value Testers
Value Priced Electronic Testers

Tel: (602) 795 - 8292
Fax: (602) 795 - 4624
www.valuetesters.com
sales@valuetesters.com